

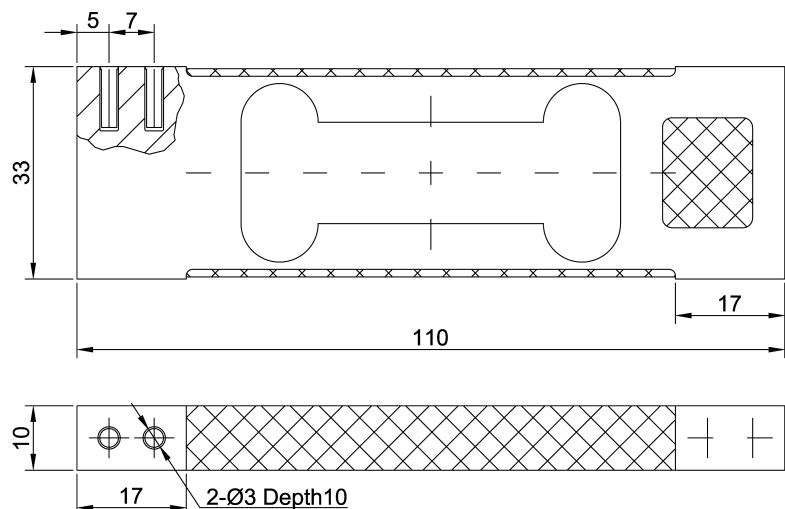
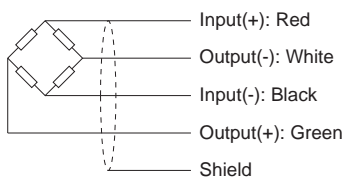
- Type:** Single Point
- Material:** Aluminum Alloy
- Surface:** Anodized Treatment
- Protection:** IP 65
- Features:** Suggested Platform
Size: 250 x 250 mm
- Application:** Bench & Pricing Scales
Bagging machine
Check Weighers



Specifications:

Capacity	kg	0.3 / 0.6 / 1.0 / 1.2 / 1.5 / 3.0	
Accuracy Class		C3	C6
Max. Number of Verification Intervals		3000	6000
Minimum Load cell Verification Interval		$E_{max}/10000$	$E_{max}/25000$
Temperature Effect on Zero	%FS/10°C	$\leq \pm 0.030$	$\leq \pm 0.020$
Temperature Effect on Sensitivity	%FS/10°C	$\leq \pm 0.030$	$\leq \pm 0.02$
Combined Error	%FS	$\leq \pm 0.010$	$\leq \pm 0.005$
Linearity - Hysteresis - Repeatability	%FS	$\leq \pm 0.015$	$\leq \pm 0.012$
Output Sensitivity	mv/v	0.9 ± 0.1	
Input Resistance	Ω	405 ± 7	
Output Resistance	Ω	350 ± 3.5	
Insulation Resistance	MΩ	≥ 5000	
Zero Balance	%FS	2	
Temperature, Compensated	°C	-10 ~ +40	
Temperature, Operating	°C	-20 ~ +50	
Excitation, Recommended	v	5 ~ 12 (DC)	
Safe Overload	%FS	120	
Ultimate Overload	%FS	150	
Standard Cable Length	m	0.40	

Dimensions:



All dimensions: mm.