

Type: Double Ended Beam

Material: Stainless Steel / Alloy Steel

Protection: IP 68

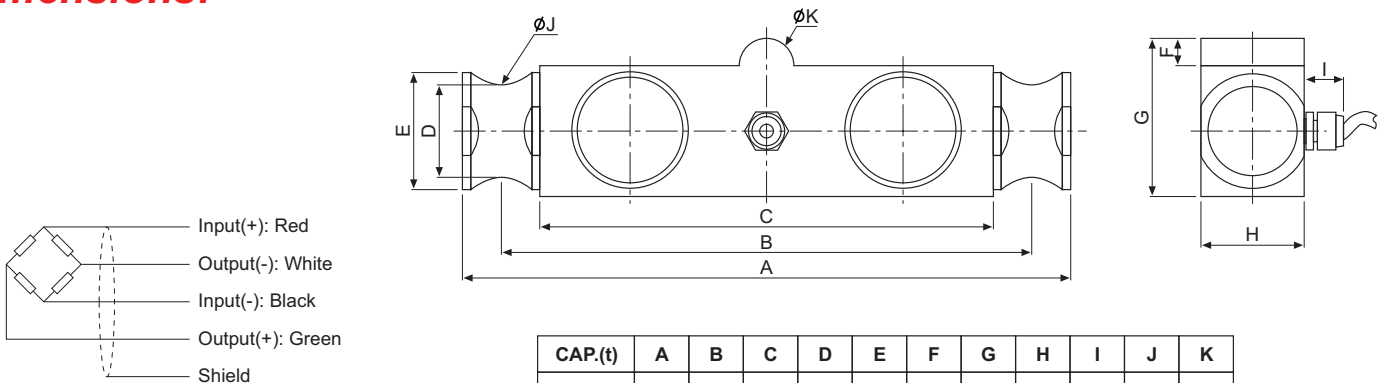
Application: Truck Scale
Railway Scale
Floor Scale
Warehouse Scale



Specifications:

Capacity	klb	25 / 40 / 50 / 60 / 75 / 100 / 125
Temperature Effect on Zero	%FS/10°C	±0.02
Temperature Effect on Sensitivity	%FS/10°C	±0.02
Combined Error	%FS	±0.05
Creep	%FS	±0.02
Output Sensitivity	mv/v	3.0±0.003
Input Resistance	Ω	750±10
Output Resistance	Ω	702±3
Insulation Resistance	MΩ	5000
Zero Balance	%FS	±1.0
Temperature, Compensated	°C	-10 ~ +40
Temperature, Operating	°C	-30 ~ +70
Excitation, Recommended	V (DC)	10 ~ 12
Excitation, Maximum	V (DC)	15
Safe Overload	%FS	150
Ultimate Overload	%FS	250
Standard Cable Length	m	12 (25~50klb), 16 (60~125klb)

Dimensions:



CAP.(t)	A	B	C	D	E	F	G	H	I	J	K
25,40,50	210	185	159	41	51	13	64	51	20	13	13
60,75	292	254	216	43	56	13	76	51	20	21	13
100,125	368	317	267	62	81	21	99	74	20	25	38

All dimensions: mm.