

Type: Double Ended Beam

Material: Alloy Steel

Protection: IP 67

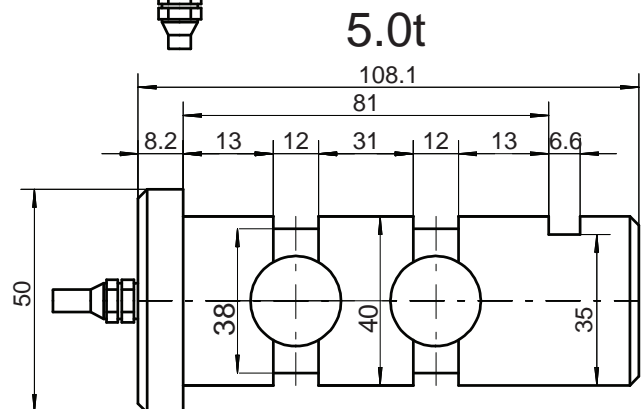
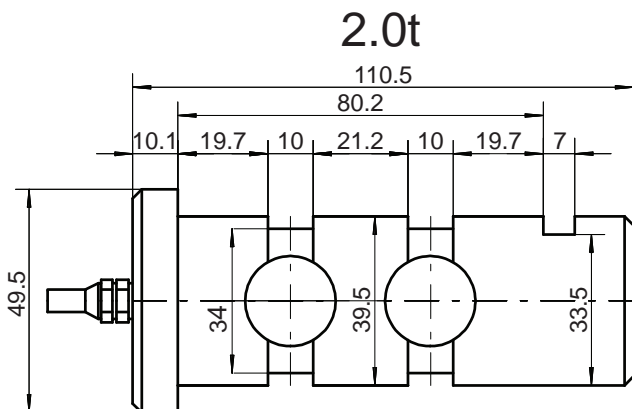
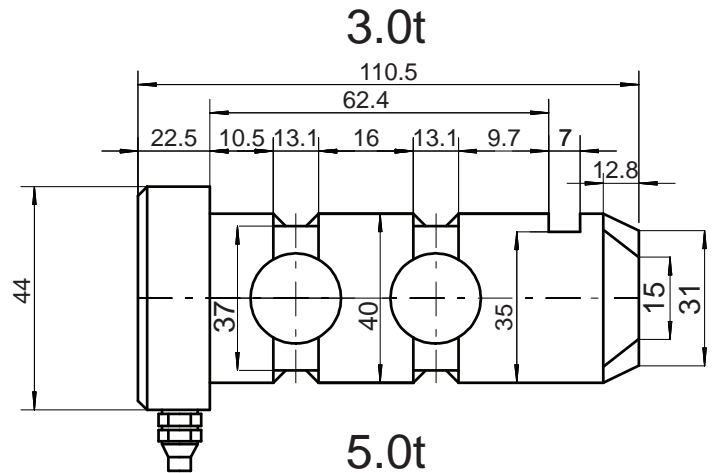
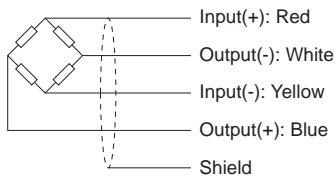
Application: Crane weighing systems
Where the load applied on a pin
Such as: crane overload control



Specifications:

Capacity	t	2 / 3 / 5
Max. Number of Verification Intervals		200
Temperature Effect on Zero	%FS/10°C	≤ ± 0.1
Temperature Effect on Sensitivity	%FS/10°C	≤ ± 0.1
Combined Error	%FS	≤ ± 0.5
Creep	%FS/30min	≤ ± 0.1
Output Sensitivity	mv/v	1.0 ± 0.02
Input Resistance	Ω	750 ± 10 (710 ± 10 for 5.0t)
Output Resistance	Ω	700 ± 7
Insulation Resistance	MΩ	≥ 5000
Zero Balance	%FS	±1.0
Temperature, Compensated	°C	-10 ~ +40
Temperature, Operating	°C	-30 ~ +70
Excitation, Recommended	v	5 ~ 15
Safe Overload	%FS	150
Ultimate Overload	%FS	200
Standard Cable Length	m	7

Dimensions:



All dimensions: mm.