

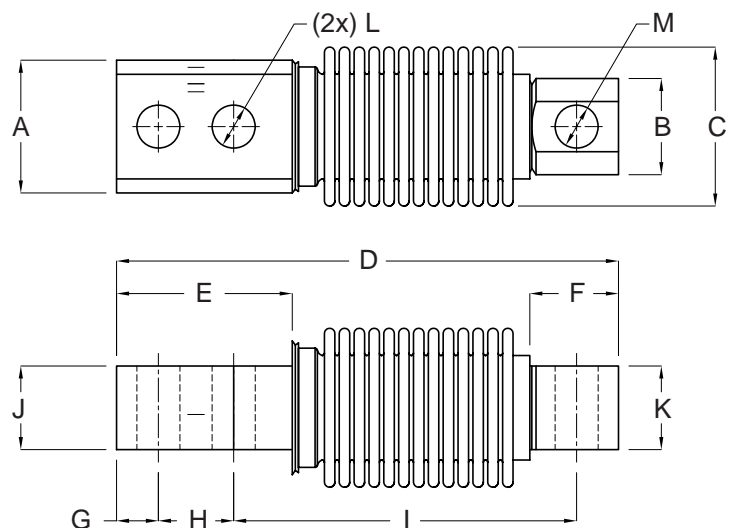
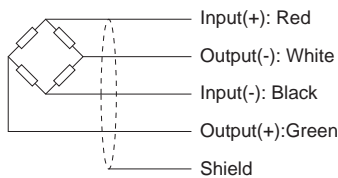
- Type:** Single Ended Beam
- Material:** Stainless Steel
- Protection:** IP 68
- Features:** Low Profile  
Nice Exterior
- Application:** Belt Weighing  
Hostile Environments  
Loss In Weight Feeders  
Marine Scales  
Food Industries



*Specifications:*

Capacity	kg	50 / 100 / 200 / 300 / 500 / 1000
Accuracy Class		<b>C3</b>
Max. Number of Verification Intervals	$n_{max}$	3000
Minimum Load cell Verification Interval	$V_{min}$	$E_{max}/6000$
Temperature Effect on Zero	%FS/10°C	$\leq \pm 0.0180$
Temperature Effect on Sensitivity	%FS/10°C	$\leq \pm 0.0180$
Combined Error	%FS	$\leq \pm 0.025$
Creep	%FS	$\leq \pm 0.0190$
Output Sensitivity	mv/v	$2.0 \pm 0.1$
Input Resistance	$\Omega$	$385 \pm 10$
Output Resistance	$\Omega$	$350 \pm 3.5$
Insulation Resistance	M $\Omega$	$\geq 5000$
Zero Balance	%FS	1.0
Temperature, Compensated	°C	-10 ~ +50
Temperature, Operating	°C	-20 ~ +60
Excitation, Recommended	v	8 ~ 12(DC)
Safe Overload	%FS	120
Ultimate Overload	%FS	200
Standard Cable Length	m	5

*Dimensions:*



CAP.	A	B	C	D	E	F	G	H	I	J	K	L	M
50,100,200	35	26	45	123	45	19	13	18	82	22	20	8.5	8.5
300,500,1000	50	36	60	210	93	53	15	40	133	34	25	13	14

All dimensions: mm.