

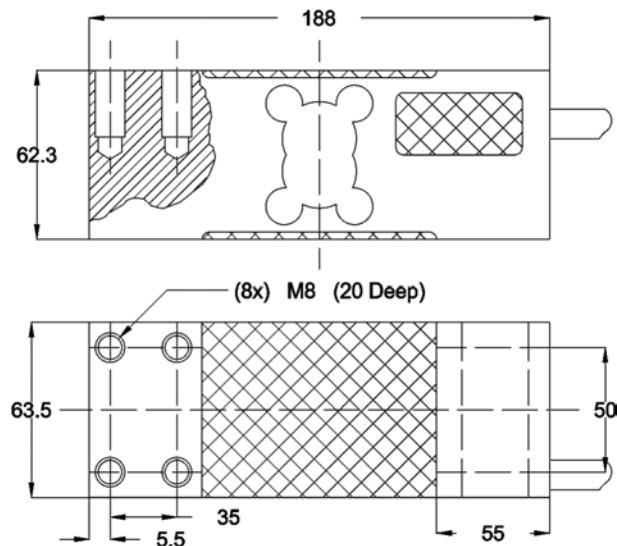
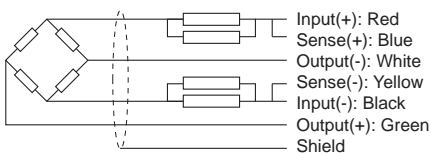
- Type:** Single Point
- Material:** Aluminum Alloy
- Surface:** Anodized Treatment
- Protection:** IP 65
- Features:** Suggested Platform  
Size: 600 x 800 mm
- Application:** Platform Scales  
Bench Scales  
Bag Filing  
Overhead Track Scales



*Specifications:*

<b>Capacity</b>	kg	75 / 150 / 250 / 300 / 500 / 600
<b>Accuracy Class</b>		<b>C3</b>
<b>Max. Number of Verification Intervals</b>		3000
<b>Minimum Load cell Verification Interval</b>		$E_{max}/7000$
<b>Temperature Effect on Zero</b>	%FS/10°C	$\leq \pm 0.0205$
<b>Temperature Effect on Sensitivity</b>	%FS/10°C	$\leq \pm 0.0178$
<b>Combined Error</b>	%FS	$\leq \pm 0.0200$
<b>Creep</b>	%FS	$\leq \pm 0.0170$
<b>Output Sensitivity</b>	mv/v	$2.0 \pm 0.3$
<b>Input Resistance</b>	$\Omega$	$405 \pm 5$
<b>Output Resistance</b>	$\Omega$	$350 \pm 3.5$
<b>Insulation Resistance</b>	M $\Omega$	$\geq 5000$
<b>Zero Balance</b>	%FS	2
<b>Temperature, Compensated</b>	°C	-10 ~ +40
<b>Temperature, Operating</b>	°C	-20 ~ +50
<b>Excitation, Recommended</b>	v	5 ~ 15
<b>Safe Overload</b>	%FS	150
<b>Ultimate Overload</b>	%FS	300
<b>Standard Cable Length</b>	m	3

*Dimensions:*



All dimensions: mm.