

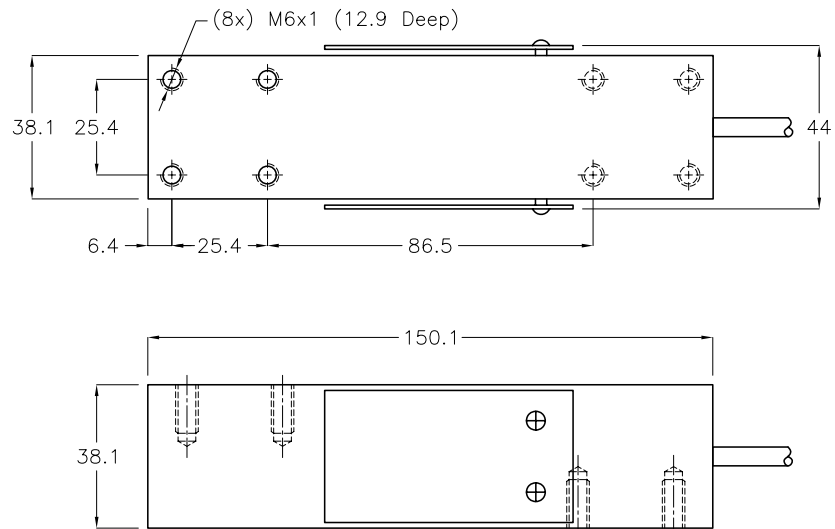
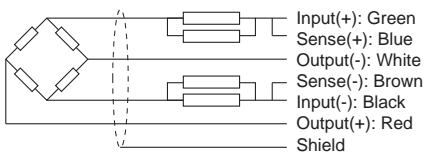
- Type:** Single Point
- Material:** Aluminum Alloy
- Surface:** Anodized Treatment
- Protection:** IP 66
- Features:** Suggested Platform  
Size: 400 x 400 mm
- Application:** Bench Scales  
Person Weighers  
Medical Weighers



*Specifications:*

<b>Capacity</b>	kg	50 / 100 / 150 / 200 / 250 / 300 / 500	
<b>Accuracy Class</b>		<b>C3</b>	<b>C5</b>
<b>Max. Number of Verification Intervals</b>		3000	5000
<b>Minimum Load cell Verification Interval</b>		$E_{max}/7000$	$E_{max}/15000$
<b>Temperature Effect on Zero</b>	%FS/10°C	$\leq \pm 0.0205$	$\leq \pm 0.0090$
<b>Temperature Effect on Sensitivity</b>	%FS/10°C	$\leq \pm 0.0178$	$\leq \pm 0.0115$
<b>Combined Error</b>	%FS	$\leq \pm 0.0200$	$\leq \pm 0.0140$
<b>Creep</b>	%FS	$\leq \pm 0.0170$	$\leq \pm 0.0148$
<b>Output Sensitivity</b>	mv/v	$2.0 \pm 0.3$	
<b>Input Resistance</b>	$\Omega$	$405 \pm 5$	
<b>Output Resistance</b>	$\Omega$	$350 \pm 3.5$	
<b>Insulation Resistance</b>	M $\Omega$	$\geq 5000$	
<b>Zero Balance</b>	%FS	2	
<b>Temperature, Compensated</b>	°C	-10 ~ +40	
<b>Temperature, Operating</b>	°C	-20 ~ +50	
<b>Excitation, Recommended</b>	v	5 ~ 15	
<b>Safe Overload</b>	%FS	150	
<b>Ultimate Overload</b>	%FS	300	
<b>Standard Cable Length</b>	m	3	

*Dimensions:*



All dimensions: mm.