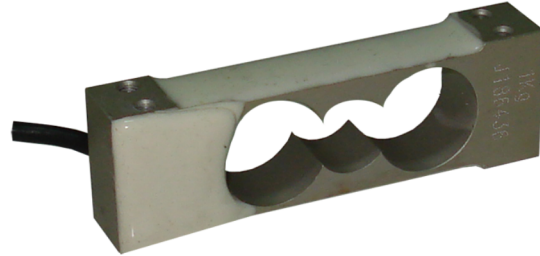


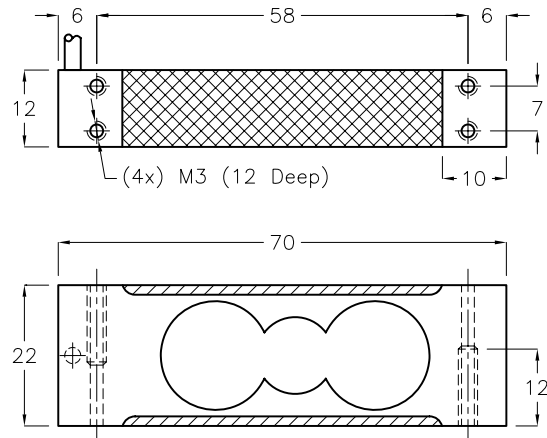
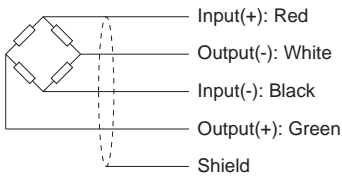
- Type:** Single Point
- Material:** Aluminum Alloy
- Surface:** Anodized Treatment
- Protection:** IP 65
- Features:** Suggested Platform
Size: 200 x 200 mm
- Application:** Bench & Counting Scales
Bagging machine
Check Weighers



Specifications:

Capacity	kg	0.3 / 0.4 / 0.5 / 0.6 / 1 / 3	
Accuracy Class		C3	C4
Max. Number of Verification Intervals		3000	4000
Minimum Load cell Verification Interval		$E_{max}/7000$	$E_{max}/11000$
Temperature Effect on Zero	%FS/10°C	$\leq \pm 0.0200$	$\leq \pm 0.0127$
Temperature Effect on Sensitivity	%FS/10°C	$\leq \pm 0.0175$	$\leq \pm 0.0131$
Combined Error	%FS	$\leq \pm 0.0200$	$\leq \pm 0.0150$
Creep	%FS	$\leq \pm 0.0167$	$\leq \pm 0.0125$
Output Sensitivity	mv/v	1.0 ± 0.1	
Input Resistance	Ω	395 ± 5	
Output Resistance	Ω	350 ± 3.5	
Insulation Resistance	MΩ	≥ 5000	
Zero Balance	%FS	2	
Temperature, Compensated	°C	-10 ~ +40	
Temperature, Operating	°C	-20 ~ +50	
Excitation, Recommended	v	5 ~ 15	
Safe Overload	%FS	150	
Ultimate Overload	%FS	300	
Standard Cable Length	m	0.45	

Dimensions:



All dimensions: mm.