

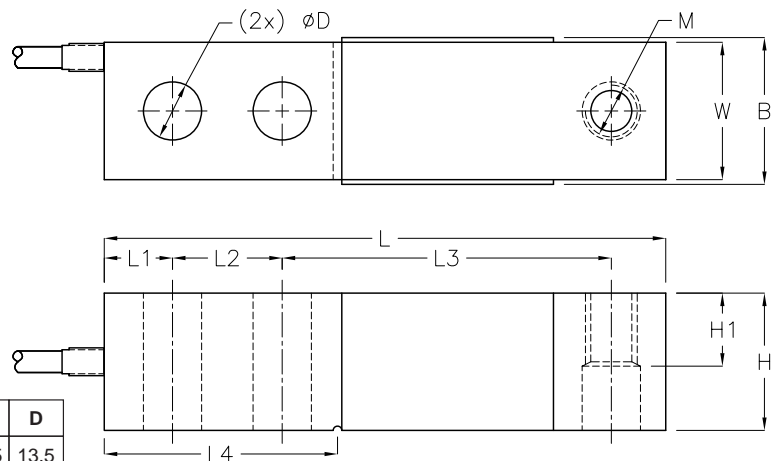
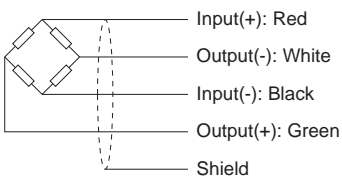
- Type:** Single Ended Beam
- Material:** Alloy Steel
- Surface:** Nickel Plated Treatment
- Protection:** IP 67
- Features:** Low Profile
Anti-Explosion
- Application:** Pallet Scales
Hopper Scales
Process Weighing
Food Industries
Overhead Track



Specifications:

Capacity	t	0.25 / 0.5 / 1 / 2 / 2.5 / 3 / 5 / 10	
Accuracy Class		C3	C5
Max. Number of Verification Intervals	n _{max}	3000	5000
Minimum Load cell Verification Interval	V _{min}	E _{max} /10000	E _{max} /15000
Temperature Effect on Zero	%FS/10°C	≤ ± 0.0165	≤ ± 0.0090
Temperature Effect on Sensitivity	%FS/10°C	≤ ± 0.0137	≤ ± 0.0110
Combined Error	%FS	≤ ± 0.0200	≤ ± 0.0140
Creep	%FS	≤ ± 0.0165	≤ ± 0.0148
Output Sensitivity	mv/v	2.0±0.002 / 3.0 ± 0.003	
Input Resistance	Ω	350 ± 5	
Output Resistance	Ω	351 ± 3.5	
Insulation Resistance	MΩ	≥ 5000	
Zero Balance	%FS	1.0	
Temperature, Compensated	°C	-10 ~ +40	
Temperature, Operating	°C	-30 ~ +70	
Excitation, Recommended	v	5 ~ 15(DC)	
Safe Overload	%FS	150	
Ultimate Overload	%FS	300	
Standard Cable Length	m	4 (0.5 ~ 2t) , 6 (2.5 ~ 10t)	

Dimensions:



CAP.(t)	L	L1	L2	L3	L4	H	H1	W	B	M	D
0.5-2	130	15.8	25.4	76.2	54.2	31.8	15.8	31.8	34	M12x1.75	13.5
2.5-5	171.5	19.1	38.1	95.3	77.2	38.1	18.8	38.1	40	M18x1.5	19.8
10	222.3	24.5	50.8	120.7	101.6	50.8	52.4	50.8	52.4	M24x2	26

All dimensions: mm.